

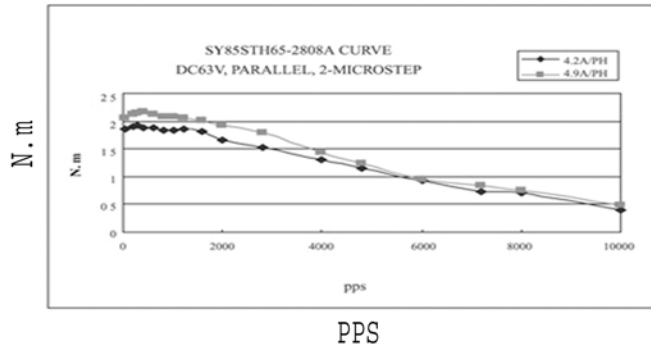
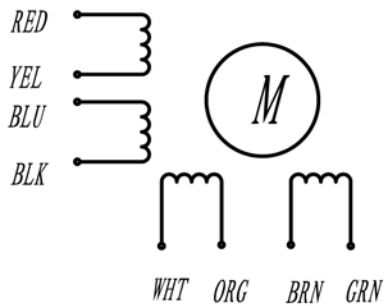
HIGH TORQUE HYBIRD STEPPING MOTOR SPECIFICATIONS

General specifications	
Step Angle (°)	1.8
Temperature Rise (°C)	80 Max (rated current, 2 phase on)
Ambient Temperature (°C)	-20~+50
Number of Phase	2
Insulation Resistance (MΩ)	100 Min (500VDC)
Insulation Class	Class B
Max.radial force (N)	220 (20mm from the flange)
Max.axial force (N)	60

PHASE	STEP ANGLE	CONNECTION STYLE	CURRENT	RESISTANCE	INDUCTANCE	HOLDING TORQUE	ROTOR INERTIA	WEIGHT
	DEG/STEP		A	ohms	mH	N.m	gcm ²	Kg
4	1.8,	Parallel	4	0.7	3.9	3.2	1000	1.7
		Series	2	2.8	15.6			
		Unipolar	2.8	1.4	3.9	2.2		

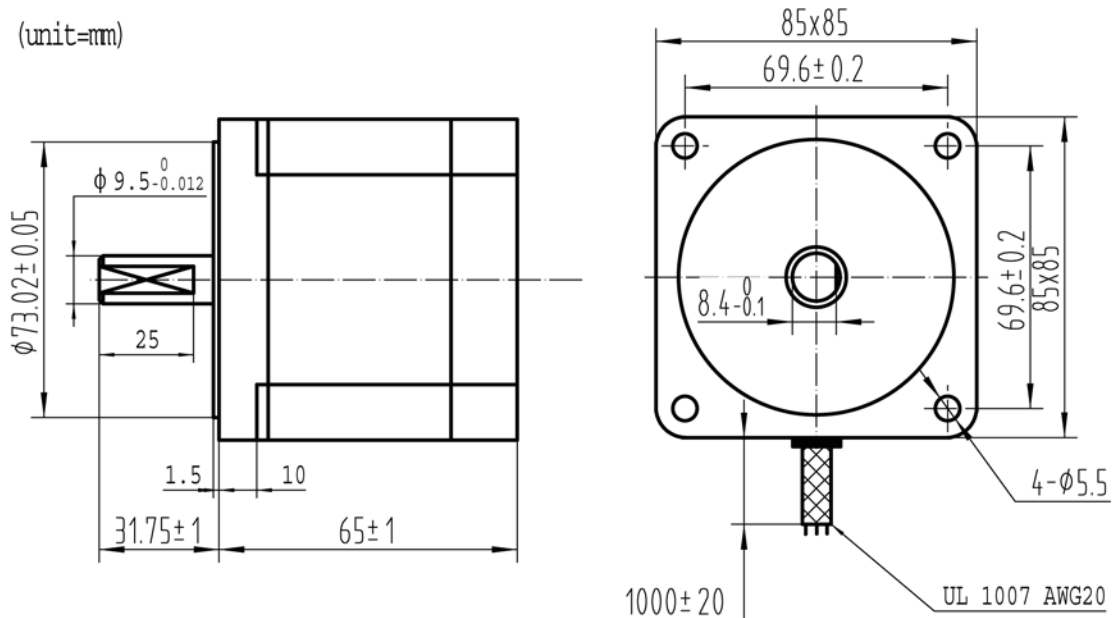
● Pull out torque curve :

● Wiring Diagram :



● Dimensions:

(unit=mm)



SY85STH65-2808A

110156012

www.hi-end.ro

REV	REVISIONS	DESCRIPTION	BY	DATE
DRAW	王凯	2009.02.20		
CHECK				
APPROVE				