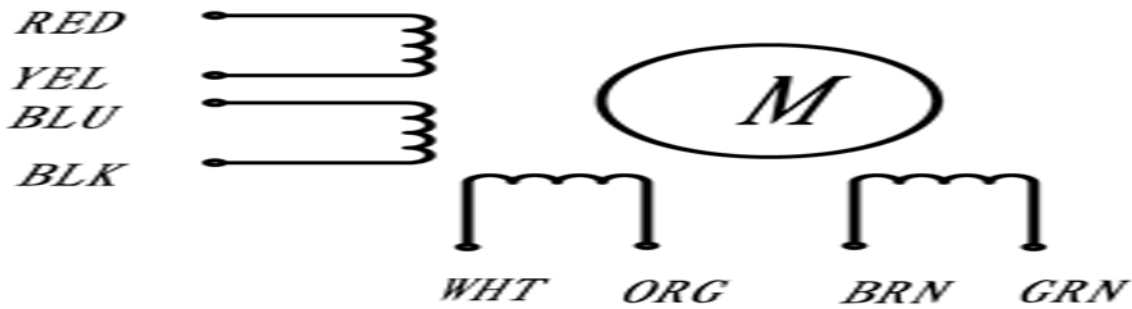


HIGH TORQUE HYBIRD STEPPING MOTOR SPECIFICATIONS

General specifications	
Step Angle (°)	1.8
Temperature Rise (°C)	80 Max (rated current, 2 phase on)
Ambient Temperature (°C)	-20~+50
Number of Phase	2
Insulation Resistance (MΩ)	100 Min (500VDC)
Insulation Class	Class B
Max.radial force (N)	220 (20mm from the flange)
Max.axial force (N)	60

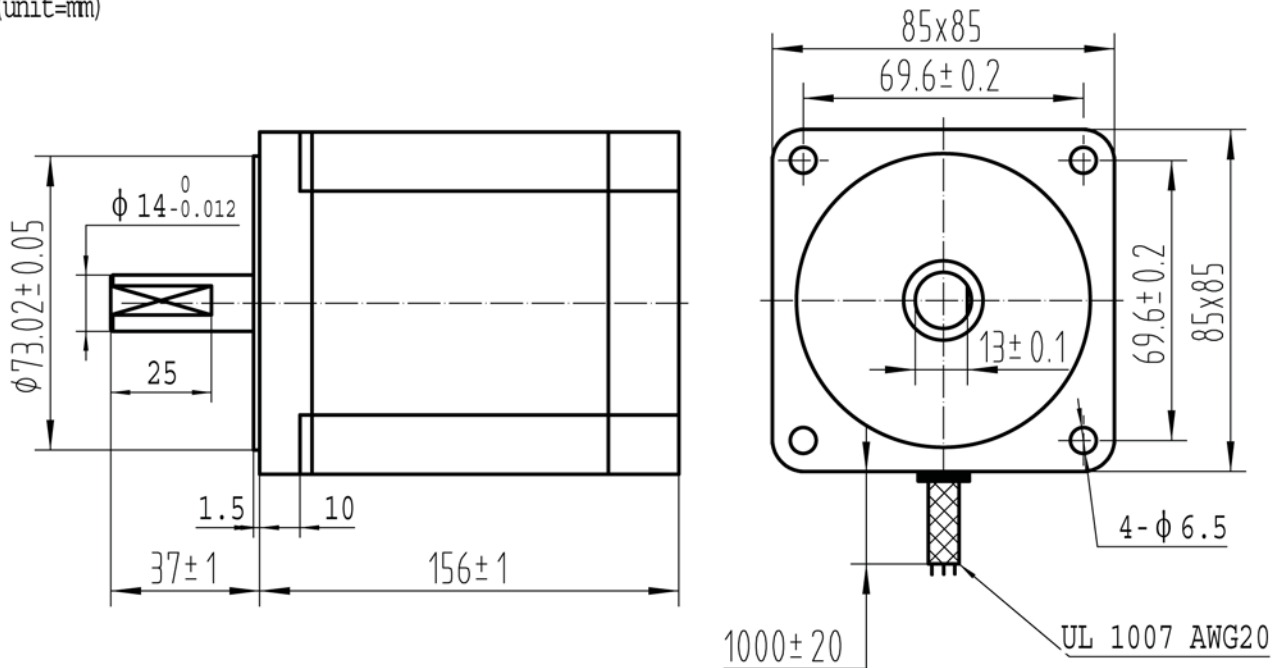
PHASE	STEP ANGLE	CONNECTION STYLE	CURRENT	RESISTANCE	INDUCTANCE	HOLDING TORQUE	ROTOR INERTIA	WEIGHT
	DEG/STEP		A	ohms	mH	N.m	gcm ²	Kg
4	1.8°	Parallel	6	0.73	8.68	12	4000	5.3
		Series	3	2.92	34.7			
		Unipolar	4.2	1.46	8.68	8.4		

● Wiring Diagram :



● Dimensions:

(unit=mm)



REV	REVISIONS	DESCRIPTION	BY	DATE	SY85STH156-4208A	TECHNICAL CONDITIONS	
DRAW	2009.02.20						www.hi-end.ro
CHECK							
APPROVE							