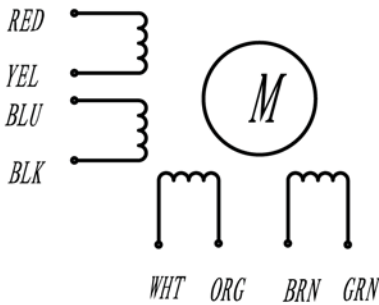


HIGH TORQUE HYBRID STEPPING MOTOR SPECIFICATIONS

General specifications	
Step Angle (°)	1.8
Temperature Rise (°C)	80 Max (rated current, 2 phase on)
Ambient Temperature (°C)	-20 ~ +50
Number of Phase	2
Insulation Resistance (MΩ)	100 Min (500VDC)
Insulation Class	Class B
Max.radial force (N)	220 (20mm from the flange)
Max.axial force (N)	60

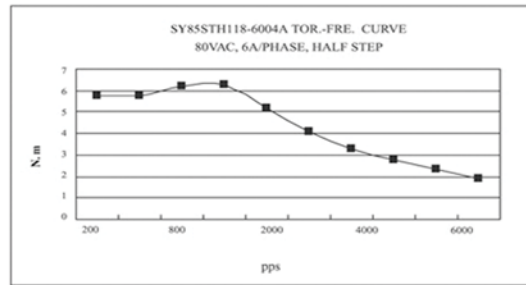
PHASE	STEP ANGLE	CONNECTION STYLE	CURRENT	RESISTANCE	INDUCTANCE	HOLDING TORQUE	ROTOR INERTIA	WEIGHT
	DEG/STEP		A	ohms	mH	N.m	gcm ²	Kg
4	1.8°	Parallel	6	0.6	6.5	8.5	2700	3.8
		Series	3	2.4	26			
		Unipolar	4.2	1.2	6.5	6		

● Wiring Diagram :



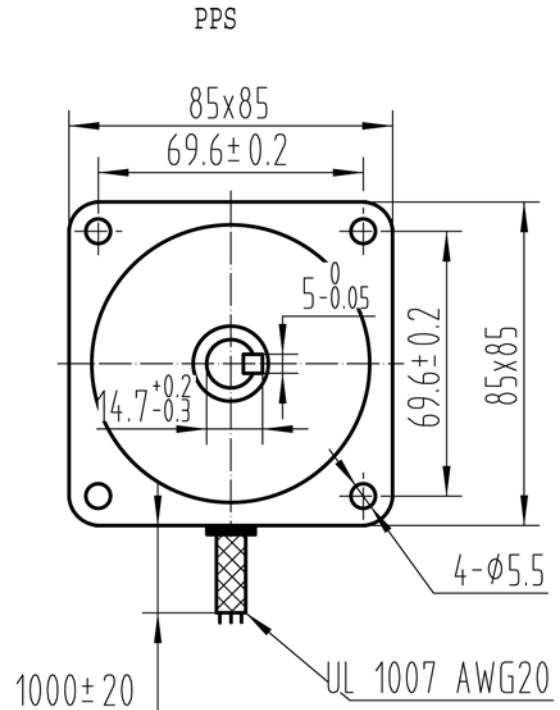
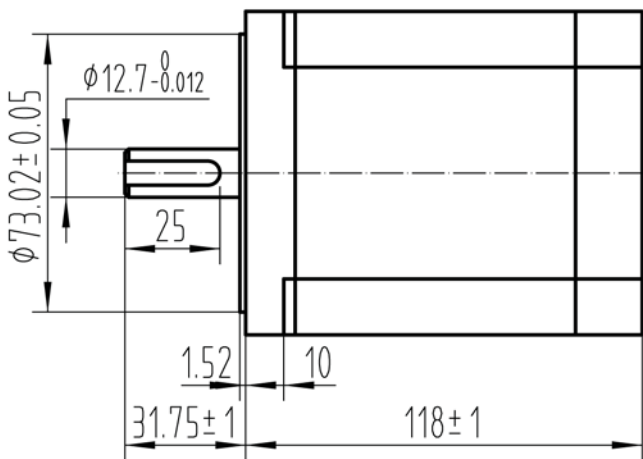
● Pull out torque curve :

VOLTAGE: 80V CONSTANT CURRENT:6.0A, HIAF STEP(parallel)



● Dimensions:

(unit=mm)



SY85STH118-4208A

1105600

HI-END

REV	REVISIONS	DESCRIPTION	BY	DATE
DRAW	2009.02.20			
CHECK				
APPROVE				

www.hi-end.ro