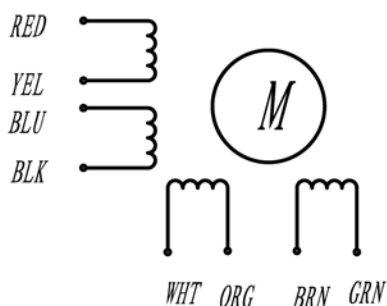


HIGH TORQUE HYBRID STEPPING MOTOR SPECIFICATIONS

General specifications	
Step Angle (°)	1.8
Temperature Rise (°C)	80 Max (rated current, 2 phase on)
Ambient Temperature (°C)	-20~+50
Number of Phase	2
Insulation Resistance (MΩ)	100 Min (500VDC)
Insulation Class	Class B
Max.radial force (N)	75 (20mm from the flange)
Max.axial force (N)	15

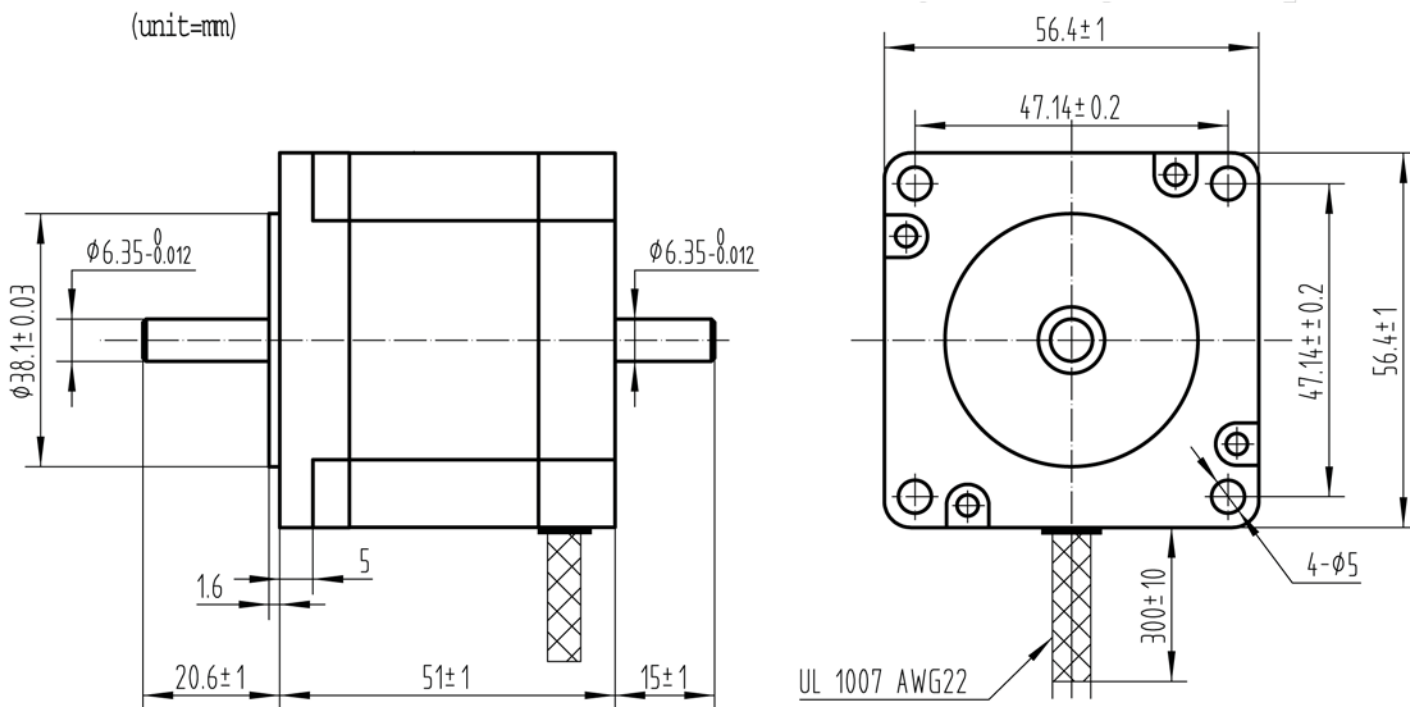
PHASE	STEP ANGLE	CONNECTION STYLE	CURRENT	RESISTANCE	INDUCTANCE	HOLDING TORQUE	ROTOR INERTIA	WEIGHT
	DEG/STEP		A	ohms	mH	N.m	gcm ²	Kg
4	1.8°	Parallel	1.4	3.3	8.2	1	275	0.65
		Series	0.7	13.2	32.8			
		Unipolar	1.0	6.6	8.2	0.7		

● Wiring Diagram :



● Dimensions:

(unit=mm)



					SY57STH51-1008B			
REV	REVISIONS	DESCRIPTION	BY	DATE				
DRAW	王凯	2009.01.22						
CHECK								
APPROVE								