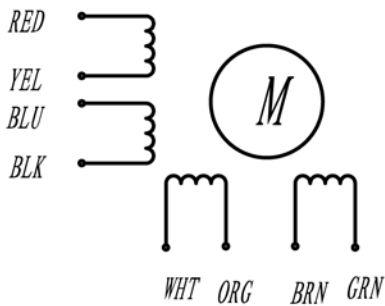


HIGH TORQUE HYBRID STEPPING MOTOR SPECIFICATIONS

General specifications	
Step Angle (°)	1.8
Temperature Rise (°C)	80 Max (rated current, 2 phase on)
Ambient Temperature (°C)	-20 ~ +50
Number of Phase	2
Insulation Resistance (MΩ)	100 Min (500VDC)
Insulation Class	Class B
Max.radial force (N)	75 (20mm from the flange)
Max.axial force (N)	15

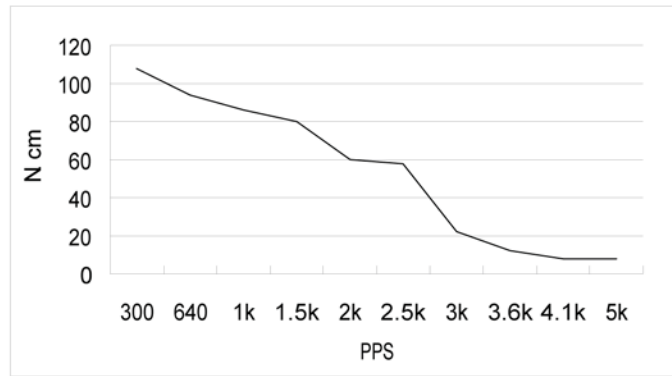
PHASE	STEP ANGLE	CONNECTION STYLE	CURRENT	RESISTANCE	INDUCTANCE	HOLDING TORQUE	ROTOR INERTIA	WEIGHT
	DEG/STEP		A	ohms	mH	N.m	gcm ²	Kg
4	1.8°	Parallel	2.8	0.9	2.5	1.24	300	0.7
		Series	1.4	3.6	10			
		Unipolar	2.0	1.8	2.5	0.88		

● **Wiring Diagram :**



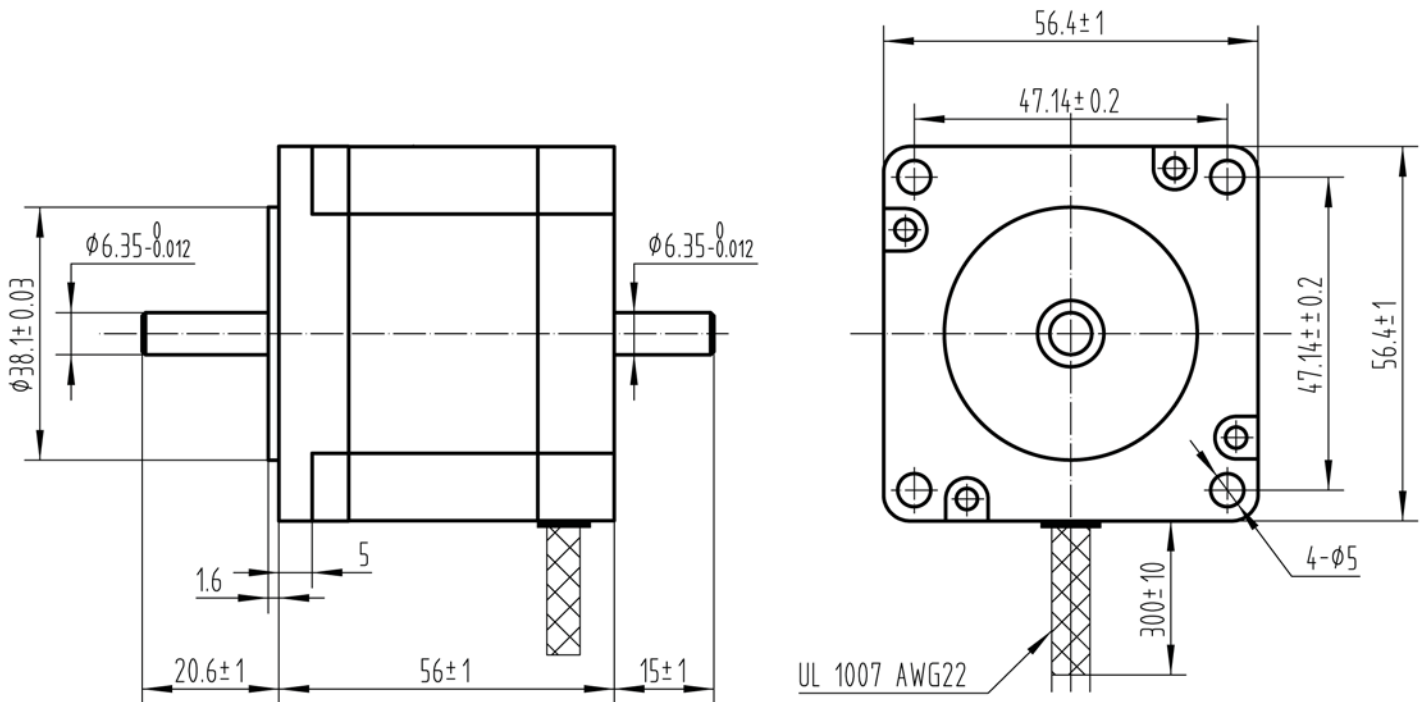
● **Pull out torque curve :**

VOLTAGE: 30VDC, CONSTANT CURRENT:1.4A, HLAIF STEP(Series)



● **Dimensions:**

(unit=mm)



					SY57STH56-2008B	
REV	REVISIONS	DESCRIPTION	BY	DATE		
DRAW	王凯	2009.01.22				
CHECK						
APPROVE						