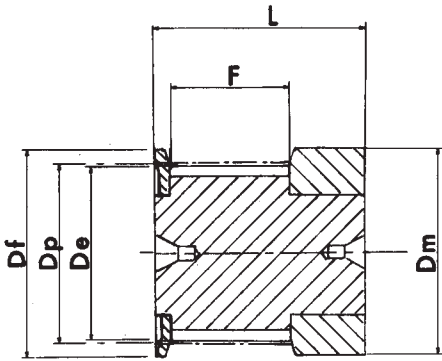
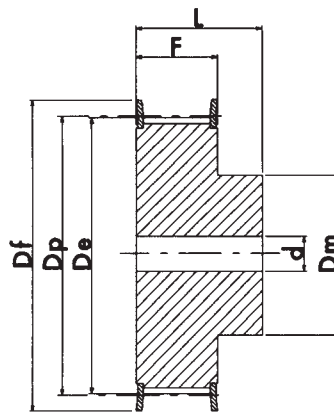


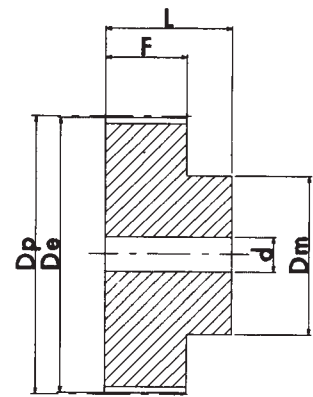
" T " P U L L E Y S



EXECUTION 0F



EXECUTION 1F



EXECUTION 2

How to identify a pulley – Example: 31 T10 25

Pulley width (mm) 31

Pulley pitch (mm) T10

No. of teeth on pulley 25

material: ALUMINIUM

T20 pitch pulleys and bars are manufactured on request.

T 2.5 (2.5 mm pitch) DESIGNED FOR 6 mm WIDE BELTS

ALUMINIUM

DESCRIPTION	EXEC.	No. of TEETH	Dp	De	Df	Dm	F	L	d	FLANGE No.
16 T2.5 12	0F	12	9.60	9.00	13.0	13	9	16	-	501
16 T2.5 14	0F	14	11.20	10.60	15.0	15	9	16	-	502
16 T2.5 15	0F	15	12.00	11.40	15.0	15	9	16	-	502
16 T2.5 16	0F	16	12.80	12.20	16.0	16	9	16	-	503
16 T2.5 16	1F	18	14.40	13.80	17.5	10	10	16	-	504
16 T2.5 19	1F	19	15.20	14.60	20.0	10	10	16	-	505
16 T2.5 20	1F	20	16.00	15.40	20.0	11	10	16	-	505
16 T2.5 22	1F	22	17.60	17.00	22.0	11	10	16	-	512
16 T2.5 24	1F	24	19.15	18.55	22.0	12	10	16	4	512
16 T2.5 25	1F	25	19.95	19.35	25.0	13	10	16	4	506
16 T2.5 26	1F	26	20.75	20.15	26.0	14	10	16	4	507
16 T2.5 28	1F	28	22.35	21.75	26.0	14	10	16	4	507
16 T2.5 30	1F	30	23.95	23.35	26.0	16	10	16	6	508
16 T2.5 32	1F	32	25.55	24.95	32.0	16	10	16	6	509
16 T2.5 36	1F	36	28.75	28.10	36.0	20	10	16	6	510
16 T2.5 40	1F	40	31.90	31.30	38.0	22	10	16	6	511
16 T2.5 44	2	44	35.10	34.50	-	24	10	16	6	-
16 T2.5 48	2	48	38.30	37.70	-	26	10	16	6	-
16 T2.5 60	2	60	47.85	47.25	-	34	10	16	8	-

" T " P U L L E Y S

T 5 (5 mm pitch) DESIGNED FOR 10 mm WIDE BELTS

ALUMINIUM	DESCRIPTION	EXEC.	No. of TEETH	Dp	De	Df	Dm	F	L	d	FLANGE No.
	21 T5 10	1F	10	15.92	15.05	19.5	8	15	21	-	3
	21 T5 12	1F	12	19.10	18.25	23.0	11	15	21	-	1
	21 T5 14	1F	14	22.29	21.45	25.0	13	15	21	-	2
	21 T5 15	1F	15	23.88	23.05	28.0	16	15	21	6	4
	21 T5 16	1F	16	25.47	24.60	32.0	18	15	21	6	5
	21 T5 18	1F	18	28.65	27.80	32.0	20	15	21	6	6
	21 T5 19	1F	19	30.25	29.40	36.0	22	15	21	6	8
	21 T5 20	1F	20	31.83	31.00	36.0	23	15	21	6	8
	21 T5 22	1F	22	35.02	34.15	38.0	24	15	21	6	9
	21 T5 24	1F	24	38.21	37.40	42.0	26	15	21	6	13
	21 T5 25	1F	25	39.80	38.95	44.0	26	15	21	6	12
21 T5 26	1F	26	41.39	40.60	44.0	26	15	21	6	12	
21 T5 27	1F	27	42.98	42.20	48.0	30	15	21	8	11	
21 T5 28	1F	28	44.58	43.75	48.0	32	15	21	8	11	
21 T5 30	1F	30	47.76	46.95	51.0	34	15	21	8	16	
21 T5 32	1F	32	50.94	50.10	54.0	38	15	21	8	18	
21 T5 36	1F	36	57.31	56.45	64.0	38	15	21	8	23	
21 T5 40	1F	40	63.66	62.85	66.5	40	15	21	8	24	
21 T5 42	1F	42	66.86	66.00	70.0	40	15	21	8	26	
21 T5 44	2	44	70.05	69.20	-	45	15	21	8	-	
21 T5 48	2	48	76.42	75.55	-	50	15	21	8	-	
21 T5 60	2	60	95.52	94.65	-	65	15	21	8	-	

T 5 (5 mm pitch) DESIGNED FOR 16 mm WIDE BELTS

ALUMINIUM	DESCRIPTION	EXEC.	No. of TEETH	Dp	De	Df	Dm	F	L	d	FLANGE No.
	27 T5 10	1F	10	15.92	15.05	19.5	8	21	27	-	3
	27 T5 12	1F	12	19.10	18.25	23.0	11	21	27	-	1
	27 T5 14	1F	14	22.29	21.45	25.0	13	21	27	-	2
	27 T5 15	1F	15	23.88	23.05	28.0	16	21	27	6	4
	27 T5 16	1F	16	25.47	24.60	32.0	18	21	27	6	5
	27 T5 18	1F	18	28.65	27.80	32.0	20	21	27	6	6
	27 T5 19	1F	19	30.25	29.40	36.0	22	21	27	6	8
	27 T5 20	1F	20	31.83	31.00	36.0	23	21	27	6	8
	27 T5 22	1F	22	35.02	34.15	38.0	24	21	27	6	9
	27 T5 24	1F	24	38.21	37.40	42.0	26	21	27	6	13
	27 T5 25	1F	25	39.80	38.95	44.0	26	21	27	6	12
27 T5 26	1F	26	41.39	40.60	44.0	26	21	27	6	12	
27 T5 27	1F	27	42.98	42.20	48.0	30	21	27	8	11	
27 T5 28	1F	28	44.58	43.75	48.0	32	21	27	8	11	
27 T5 30	1F	30	47.76	46.95	51.0	34	21	27	8	16	
27 T5 32	1F	32	50.94	50.10	54.0	38	21	27	8	18	
27 T5 36	1F	36	57.31	56.45	64.0	38	21	27	8	23	
27 T5 40	1F	40	63.66	62.85	66.5	40	21	27	8	24	
27 T5 42	1F	42	66.86	66.00	70.0	40	21	27	8	26	
27 T5 44	2	44	70.05	69.20	-	45	21	27	8	-	
27 T5 48	2	48	76.42	75.55	-	50	21	27	8	-	
27 T5 60	2	60	95.52	94.65	-	65	21	27	8	-	

T 5 (5 mm pitch) DESIGNED FOR 25 mm WIDE BELTS

ALUMINIUM	DESCRIPTION	EXEC.	No. of TEETH	Dp	De	Df	Dm	F	L	d	FLANGE No.
	36 T5 10	1F	10	15.92	15.05	19.5	8	30	36	-	3
	36 T5 12	1F	12	19.10	18.25	23.0	11	30	36	-	1
	36 T5 14	1F	14	22.29	21.45	25.0	13	30	36	-	2
	36 T5 15	1F	15	23.88	23.05	28.0	16	30	36	6	4
	36 T5 16	1F	16	25.47	24.60	32.0	18	30	36	6	5
	36 T5 18	1F	18	28.65	27.80	32.0	20	30	36	6	6
	36 T5 19	1F	19	30.25	29.40	36.0	22	30	36	6	8
	36 T5 20	1F	20	31.83	31.00	36.0	23	30	36	6	8
	36 T5 22	1F	22	35.02	34.15	38.0	24	30	36	6	9
	36 T5 24	1F	24	38.21	37.40	42.0	26	30	36	8	13
	36 T5 25	1F	25	39.80	38.95	44.0	26	30	36	8	12
36 T5 26	1F	26	41.39	40.60	44.0	26	30	36	8	12	
36 T5 27	1F	27	42.98	42.20	48.0	30	30	36	8	11	
36 T5 28	1F	28	44.58	43.75	48.0	32	30	36	8	11	
36 T5 30	1F	30	47.76	46.95	51.0	34	30	36	8	16	
36 T5 32	1F	32	50.94	50.10	54.0	38	30	36	8	18	
36 T5 36	1F	36	57.31	56.45	64.0	38	30	36	8	23	
36 T5 40	1F	40	63.66	62.85	66.5	40	30	36	8	24	
36 T5 42	1F	42	66.86	66.00	70.0	40	30	36	8	26	
36 T5 44	2	44	70.05	69.20	-	45	30	36	8	-	
36 T5 48	2	48	76.42	75.55	-	50	30	36	8	-	
36 T5 60	2	60	95.52	94.65	-	65	30	36	8	-	

" T " P U L L E Y S

T 10 (10 mm pitch) DESIGNED FOR 16 mm WIDE BELTS

ALUMINIUM	DESCRIPTION	EXEC.	No. of TEETH	Dp	De	Df	Dm	F	L	d	FLANGE No.
	31 T10 12	1F	12	38.20	36.35	42	28	21	31	6	13
	31 T10 14	1F	14	44.56	42.70	48	32	21	31	8	11
	31 T10 15	1F	15	47.75	45.90	51	32	21	31	8	16
	31 T10 16	1F	16	50.93	49.10	54	35	21	31	8	18
	31 T10 18	1F	18	57.29	55.45	60	40	21	31	8	21
	31 T10 19	1F	19	60.48	58.65	66	44	21	31	8	24
	31 T10 20	1F	20	63.66	61.80	66	46	21	31	8	24
	31 T10 22	1F	22	70.03	68.20	75	52	21	31	8	27
	31 T10 24	1F	24	76.39	74.55	83	58	21	31	8	29
	31 T10 25	1F	25	79.58	77.75	83	60	21	31	8	29
31 T10 26	1F	26	82.76	80.90	87	60	21	31	8	31	
31 T10 27	1F	27	85.95	84.10	91	60	21	31	8	32	
31 T10 28	1F	28	89.12	87.25	93	60	21	31	8	33	
31 T10 30	1F	30	95.49	93.65	102	60	21	31	8	35	
31 T10 32	1F	32	101.86	100.00	106	65	21	31	10	38	
31 T10 36	1F	36	114.59	112.75	119	70	21	31	10	43	
31 T10 40	1F	40	127.32	125.45	131	80	21	31	10	47	
31 T10 44	2	44	140.05	138.20	-	88	21	31	10	-	
31 T10 48	2	48	152.78	150.95	-	95	21	31	16	-	
31 T10 60	2	60	190.98	189.10	-	110	21	31	16	-	

T 10 (10 mm pitch) DESIGNED FOR 25 mm WIDE BELTS

ALUMINIUM	DESCRIPTION	EXEC.	No. of TEETH	Dp	De	Df	Dm	F	L	d	FLANGE No.
	40 T10 12	1F	12	38.20	36.35	42	28	30	40	6	13
	40 T10 14	1F	14	44.56	42.70	48	32	30	40	8	11
	40 T10 15	1F	15	47.75	45.90	51	32	30	40	8	16
	40 T10 16	1F	16	50.93	49.10	54	35	30	40	8	18
	40 T10 18	1F	18	57.29	55.45	60	40	30	40	8	21
	40 T10 19	1F	19	60.48	58.65	66	44	30	40	8	24
	40 T10 20	1F	20	63.66	61.80	66	46	30	40	8	24
	40 T10 22	1F	22	70.03	68.20	75	52	30	40	8	27
	40 T10 24	1F	24	76.39	74.55	83	58	30	40	8	29
	40 T10 25	1F	25	79.58	77.75	83	60	30	40	8	29
40 T10 26	1F	26	82.76	80.90	87	60	30	40	8	31	
40 T10 27	1F	27	85.95	84.10	91	60	30	40	8	32	
40 T10 28	1F	28	89.12	87.25	93	60	30	40	8	33	
40 T10 30	1F	30	95.49	93.65	102	60	30	40	8	35	
40 T10 32	1F	32	101.86	100.00	106	65	30	40	10	38	
40 T10 36	1F	36	114.59	112.75	119	70	30	40	10	43	
40 T10 40	1F	40	127.32	125.45	131	80	30	40	10	47	
40 T10 44	2	44	140.05	138.20	-	88	30	40	10	-	
40 T10 48	2	48	152.78	150.95	-	95	30	40	16	-	
40 T10 60	2	60	190.98	189.15	-	110	30	40	16	-	