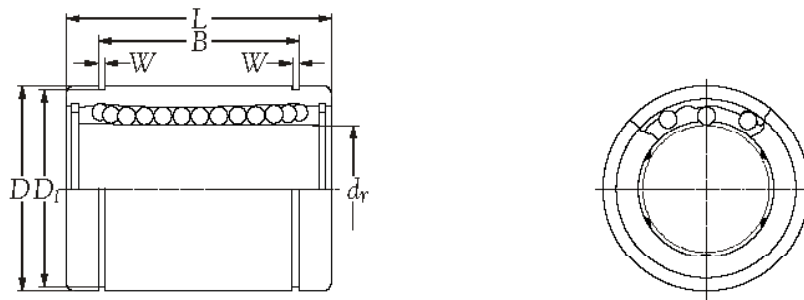


LINEAR BALL BEARING



Nominal shaft diameter mm	with seals resin retainer	Number of ball tracks	d_r tolerance		Dimensions D tolerance		Dimensions L B W D_1 tolerance			Roundness μm	Resin retainer maximum radial clearance μm	Load ratings				
			mm	μm	mm	μm	mm	mm	mm			mm	dynamic C	static C_0		
12	LME 12 UU	4	12	$^{+8}_0$	22	$^{-9}_0$	32	$^{-0.2}_0$	22.9	$^{-0.2}_0$	1.30	21.0	12	-7	510	784
16	LME 16 UU	5	16	$^{+9}_{-1}$	26	$^{-9}_0$	36	$^{-0.2}_0$	24.9	$^{-0.2}_0$	1.30	24.9	12	-7	578	892
20	LME 20 UU	5	20	$^{+9}_{-1}$	32	$^{-11}_0$	45	$^{-0.2}_0$	31.5	$^{-0.2}_0$	1.60	30.3	15	-9	862	1370